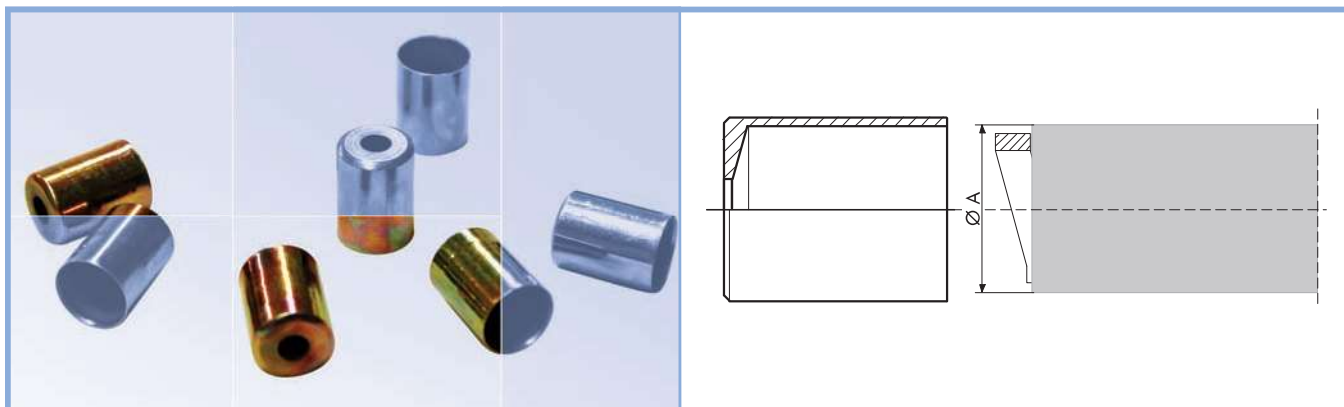


Capoguaina torniti

Turned sheath terminals



Codice / Code	$\varnothing A$ (mm)	Materiale / Material
01506.00.2	5,3	OT 58
01507.00.2	5,8	OT 58
01508.00.2	7	OT 58
01509.00.2	8	Acciaio zincato / Galvanized steel
01510.00.2	10	"
01511.00.2	12	"
01512.00.2	13	"
01513.00.2	14	"
01514.00.2	16	"